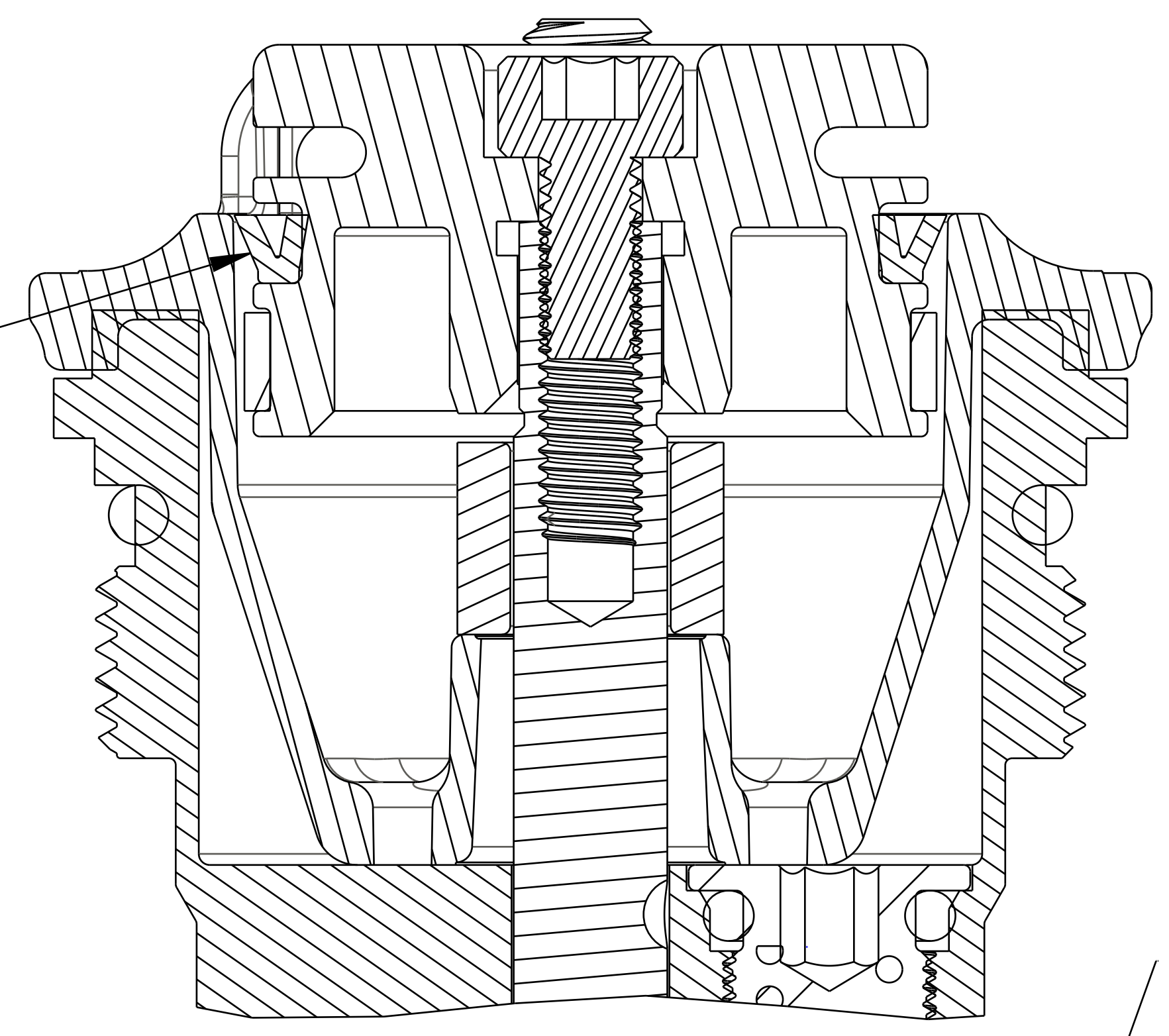


NOTE U-CUP ORIENTATION



CARTRIDGE ASSEMBLY

- 241-01-011 CRUSH WASHER
- 241-00-022 BOTTOM NUT
- 210-03-120 REBOUND KNOB

TORQUE: 50±5 IN-LB

TORQUE: 5.0±0.5 IN-LB

REFERENCE ONLY (FOR INSTALLATION INTO FORK)

018-01-007 Socket Set Half Dog Point Screw [#8-32 X 0.250 TLG]

820-05-313-KIT Remote Topcap Interface Parts

REFERENCE ONLY (FOR INSTALLATION INTO FORK)

TORQUE: 220±5 IN-LB

GREASE: LAYER OF BLUE MARINE

GREASE: THIN LAYER

019-01-088 Set Screw [M4x4mm], SST, Cup Point, Patchlock

019-01-095 Fastener, Standard (Metric): Screw [M3 X 6mm] SHCS, Patchlock

TORQUE: 11±3 IN-LB

IMPORTANT: DO NOT ALLOW PULLEY TO ROTATE WHILE TORQUING

- 210-22-759 Damping Adjust Part: Housing, Remote, 2014 FIT and O/C
- 210-22-819 Damping Part: Spacer, 2014 Remote Fork
- 039-00-291 Spring: Torsion 2013 Damper CTD Remote, .048 Square Wire, 0.600 Mean Coil Diam (
- 002-02-050 Bearing: External [0.115 W X 0.810 OD X 0.030 TH, Ø 0.750 Bore] Turcon,Blue,Ring
- 036-01-044 Seals: U-Cup, Shore 70A, 2013 CTD-ADJ, Remote Fit-CTD and Remote O/C-CTD

210-22-779 CABLE PULLEY

ASSEMBLY INSTRUCTIONS:

1. WITH THE DAMPER IN "DESCEND" POSITION INSTALL 210-22-759. POSITION HOUSING SO CABLE BOSS IS BETWEEN 1 AND 2 O'CLOCK FROM RIDER'S PERSPECTIVE.
2. INSTALL 210-22-819 OVER COMPRESSION ROD ON TOPCAP ASSY.
3. INSTALL 036-01-044 ON 210-22-760. NOTE ORIENTATION OF U-CUP.
4. INSTALL 002-02-050 ON CABLE PULLEY.
5. INSTALL 019-01-088 IN 210-22-760.
6. APPLY A LIBERAL AMOUNT OF GREASE TO 039-00-291. INSTALL SPRING TANG IN HOLE ON 210-22-760. INSTALL THIS ASSMEBLY IN HOUSING SO SET SCREW IS POSITIONED AT CABLE BOSS OF HOUSING. ENSURE SPRING TANG SEATS IN A HOLE IN BOTTOM OF HOUSING. TIGHTEN FASTENER 019-01-095 2 TO 3 TURNS.
7. LIFT UP ON HOUSING AND ROTATE COUNTER CLOCKWISE UNTIL CABLE BOSS IS AT 7 O'CLOCK FROM RIDER'S PERSPECTIVE. LOWER HOUSING AND ENSURE IT IS PROPERLY SEATED ON TOP CAP. SECURE IN PLACE BY TORQUING FASTENER 019-01-095 TO SPEC ON DRAWING.

PROPRIETARY - PROPRIETARY INFORMATION THAT IS FOR PROPERTY. DO NOT DISCLOSE TO OR DUPLICATE FOR OTHERS EXCEPT AS AUTHORIZED BY FOX.

FOX Factory, Inc. Ph 831-768-1100
 130 Hangar Way, Watsonville, CA 95076 USA Fax 831-768-9312

TITLE: **2015 36 F-S FIT CTD Remote Cartridge Assy Complete**

SIZE: DWG. NO. D

PLOT SCALE: 1.00:1

SHEET 1 OF 1